

Compact RT Scissor Lifts

UpRight
POWERED ACCESS



- Working height up to 12.1m
- Lightweight and excellent ground clearance
- 4 wheel drive
- Large platform area with 1.2m deck extension
- 4 hydraulic outriggers with level sensor
- Foam filled, high grip tyres

X27RT
X33RT

X27/33RT scissor lift specifications

	X27RT	X33RT
max. working height	10.3m	12.1m
max. platform height A	8.28m	10.12m
max. drive height	8.28m	10.12m
platform capacity (SWL)	580kg	450kg
platform size (deck extended)	3.94m x 1.65m	3.94m x 1.65m
deck extension	1.2m	1.2m
overall width B	1.77m	1.77m
overall length C	3.36m	3.36m
lowered height D	2.56m	2.70m
min height (guardrails folded)	1.75m	2.00m
gross weight	2,800kg	3,620kg
inside turning radius	2.83m	2.83m
outside turning radius	4.60m	4.60m
max. drive speed (lowered)	4.5kmh	4.5kmh
ground clearance	350mm	350mm
gradeability	35%	35%
tyres	26x12 loader lug poly filled	
drive system	4 wheel drive	4 wheel drive
controls	joystick proportional	
power source	Kubota V-905 water cooled diesel 22.5hp	

Specifications subject to change without notice. Photos and diagrams in this brochure are for promotional purposes only. Refer to appropriate UpRight operators manual for detailed instructions on the proper use and maintenance.



BP1 - X27RT 8/07

UpRight
POWERED ACCESS

Vigo Centre, Birtley Road, Washington,
Tyne & Wear, NE38 9DA, U.K.

Sales Tel: +44 (0) 845 1550 057 • Spare Parts Tel: +44 (0) 845 1550 058

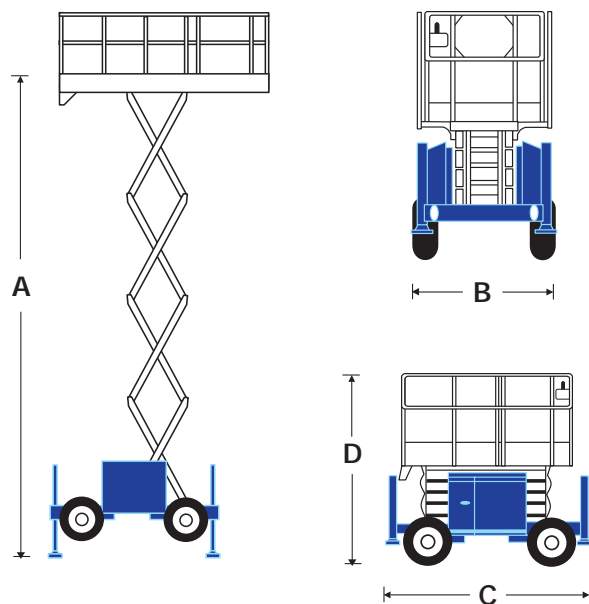
www.upright.com

standard features

- 1.2m roll-out deck extension
- 4 wheel drive
- 4 hydraulic outriggers with level sensor
- Proportional joystick control
- Foam filled lug tyres
- Articulating axle
- Driveable at full height
- Operator horn
- Drive motion alarm
- Lower warning alarm
- Fold-down guardrails
- 1 year parts and labour warranty
- 5 year structural warranty

options

- Non - marking tyres
- 110/240v power line to platform
- LPG power
- 3.5 KVA hydraulic generator



This product is available with the CE mark confirming compliance with all relevant European Machinery Directives

manufactured by

UpRight
POWERED ACCESS